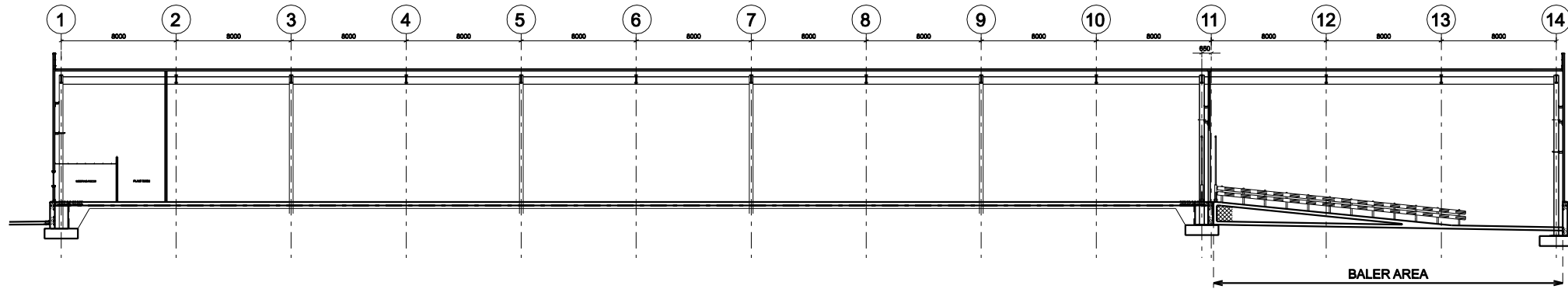
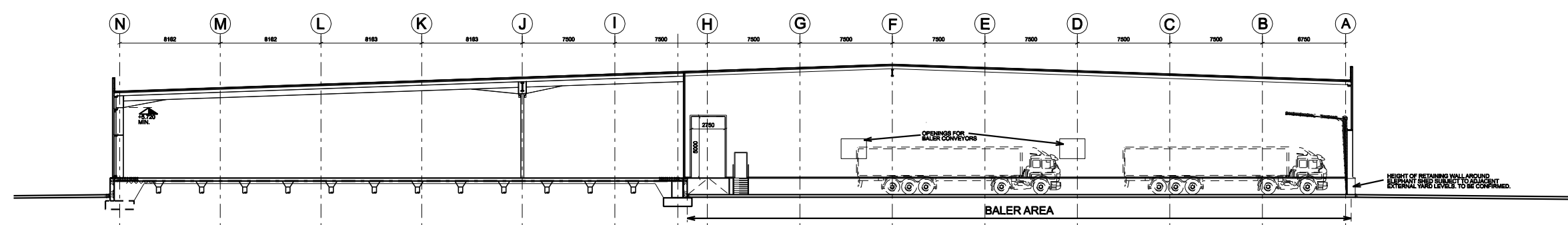
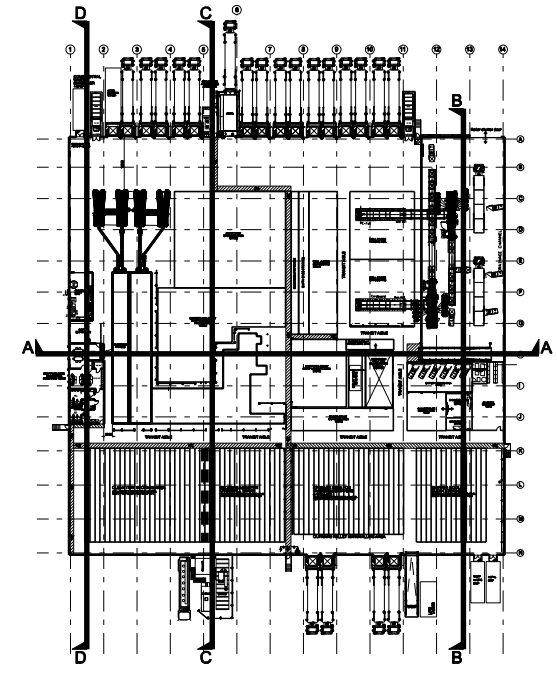


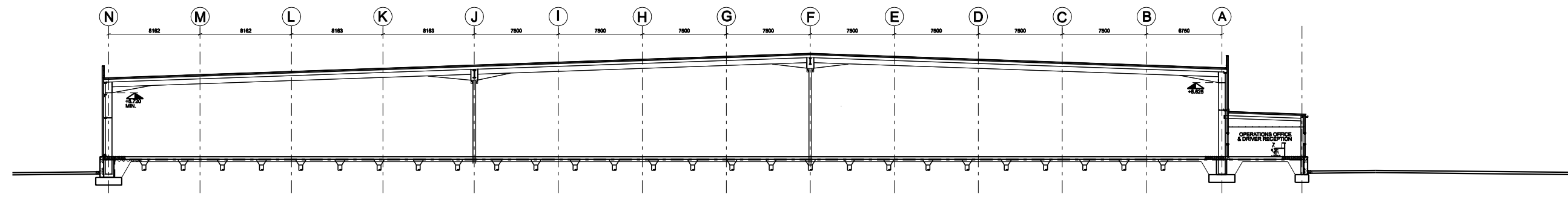
-Do not scale this drawing
 -Architects to be notified of discrepancies in figured dimensions
 -Contractors must check all dimensions from site
 -This drawing is copyright and is for use on this site only
 -This drawing is to be used solely for information as entitled
 -For other information refer to the latest revision of any cross referenced drawing



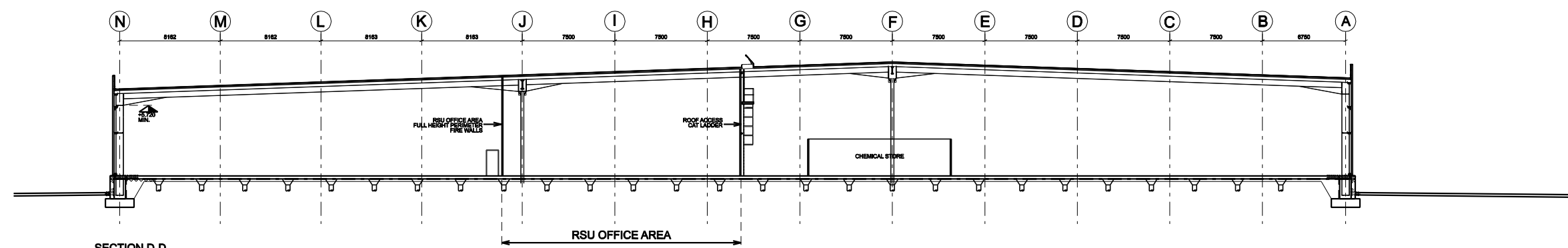
SECTION A-A



SECTION B-B



SECTION C-C



SECTION D-D

REVISIONS

CLIENT

Stobart Group

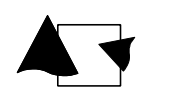
PROJECT TITLE
**PROJECT EAGLE
 CHILL DC**

DRAWING TITLE
RSU BUILDING SECTIONS

JOB NUMBER	DRAWING NUMBER	REVISION
08011	P11	

DATE	SCALE	SHEET
AUG '08	1:200 @	A1

STATUS
PLANNING



**ashton
smith**
ASSOCIATES

Belvedere House, 2 Victoria Avenue, Harrogate, North Yorkshire HG1 1EL Tel: 01423 822862 Fax: 01423 885104 info@ashtonsmith.co.uk www.ashtonsmith.co.uk

08011 EAGLE